

630 Eclipse Recessed Handle Cam Latch

Features

- The Eclipse® recess handle latch features a stylish handle grab in the non-key-locking version, and an additional key cylinder in the locking version
- The recess latch handle, plus a low installation profile make this an especially good latch for panels, enclosures and control boxes where space is limited
- The locking models offer a grip range of .406" to .851"
- Produced with UV stabilized thermoplastic and stainless steel components, latch is suitable for extreme applications that deal with water including boats, campers, trailers, or outdoor containers
- Easy installation with the use of the mounting bracket and 2 screws, which are provided. No external fasteners required and no weld marks to mar finish
- Eclipse latches can be assembled on finished panels. An oil-resistant flange gasket is also provided
- Key-locking version is furnished with two keys



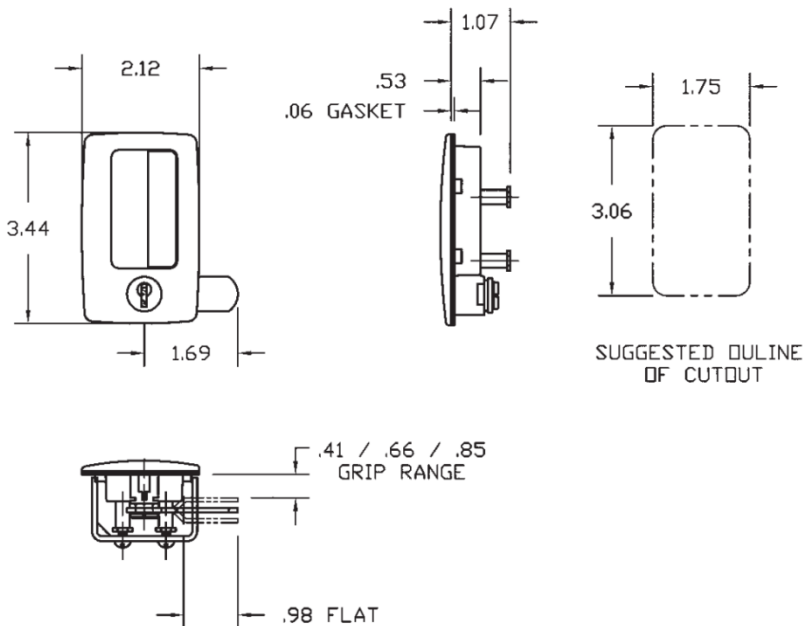
Material

- Recess handle grab and housing are made of thermoplastic alloy. A polycarbonate-based polymer blend provides high strength, light weight and excellent heat and chemical resistance. It resists crazing and hardening
- All metal stampings are made of 300 Series stainless steel
- Key cylinder is zinc die cast

Notes

- **ECL-630-KP8** key-locking version is supplied with both flush and offset cams in package

Grip Range	
A	.406
B	.666
C	.851



Part No.	Type
ECL-630-P8	Non-Locking
ECL-630-KP8	Key Locking

Dimensions in inches



We are Eberhard's exclusive distributor